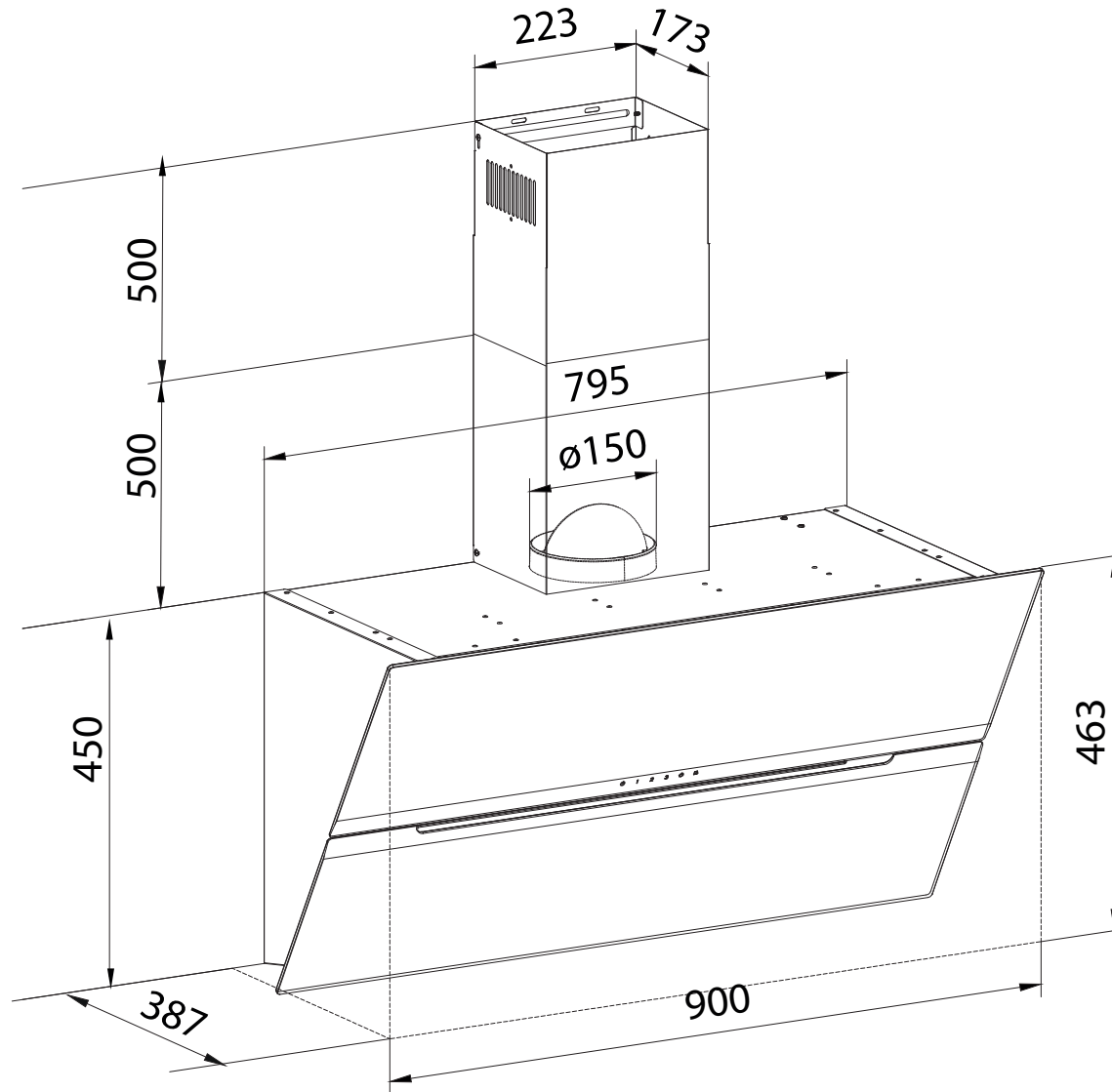


VERTICAL AUTOMATIC



Revisionsdato: 5. July 2017